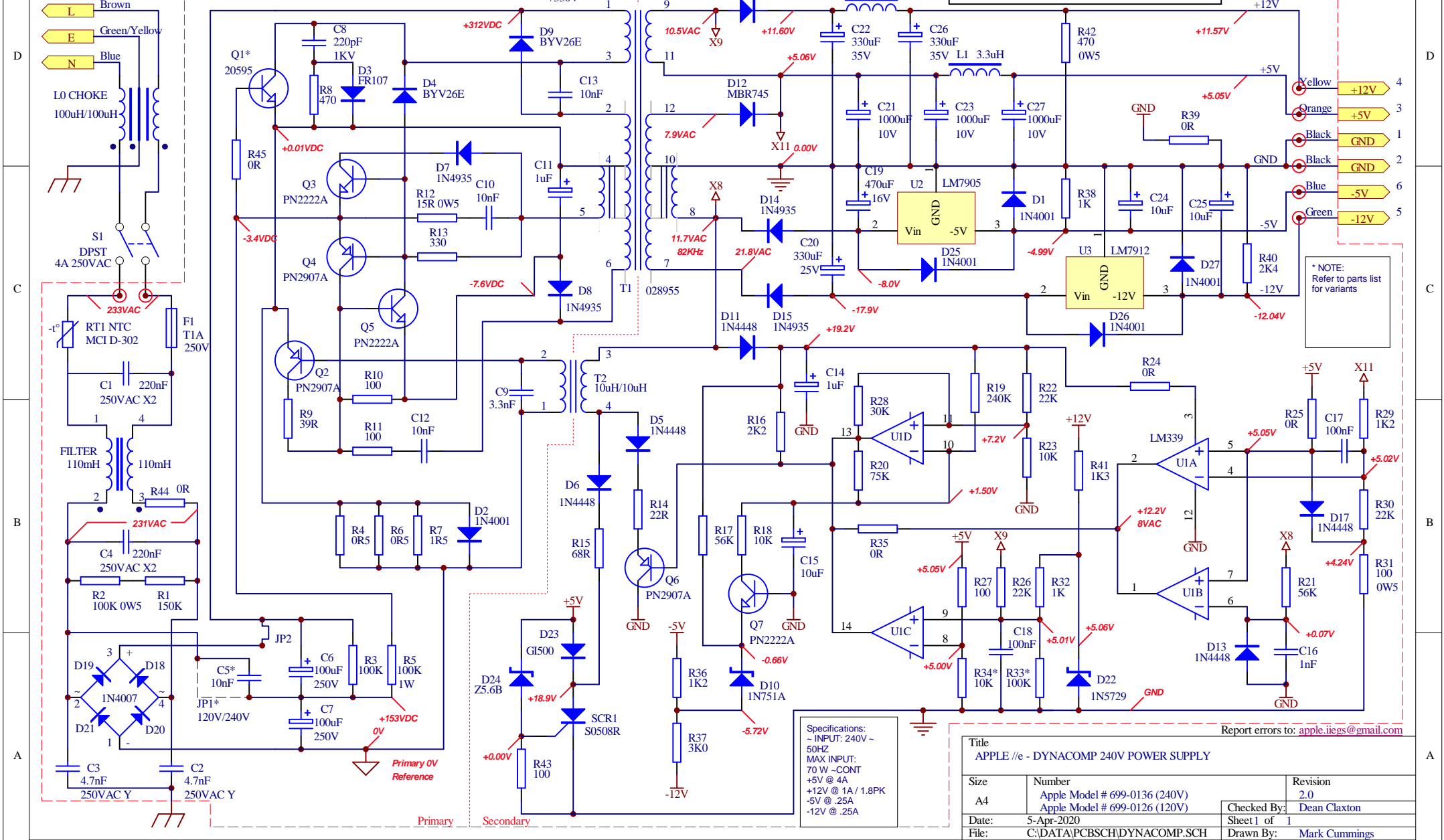


CAUTION
HAZARD OF ELECTRIC SHOCK-HEAT SINK IS LIVE.
DISCONNECT POWER SUPPLY BEFORE SERVICE.

Voltages shown in red were measured on an Apple IIGS fitted with a 4MB RAM card and CFFA.
 Voltages on Primary side measured WRT Primary 0V.
 Voltages on Secondary side measured WRT 0V.
 NOTE: parts marked with * may be different on some revisions.



* NOTE:
 Refer to parts list for variants

Specifications:
 - INPUT: 240V - 50HZ
 MAX INPUT: 70 W -CONT
 +5V @ 4A
 +12V @ 1A / 1.8PK
 -5V @ .25A
 -12V @ .25A

Report errors to: apple.ieg@gmail.com

Title APPLE //e - DYNACOMP 240V POWER SUPPLY		
Size A4	Number Apple Model # 699-0136 (240V) Apple Model # 699-0126 (120V)	Revision 2.0
Date: 5-Apr-2020	Checked By: Dean Claxton	Sheet 1 of 1
File: C:\DATA\PCBSCH\DYNACOMP.SCH	Drawn By: Mark Cummings	