

Manufacturer
 ASTEC COMPONENTS LTD.
 POWER SUPPLY
 MODEL AA11040C
 230VAC 50HZ 0.5A

Specifications:
 OUTPUT:
 1 COMMON
 2 COMMON
 3 + 5 V 2.5 A
 4 + 12V 1.5 A
 5 - 12V 0.25A
 6 - 5 V 0.25A
 MADE IN HONG KONG

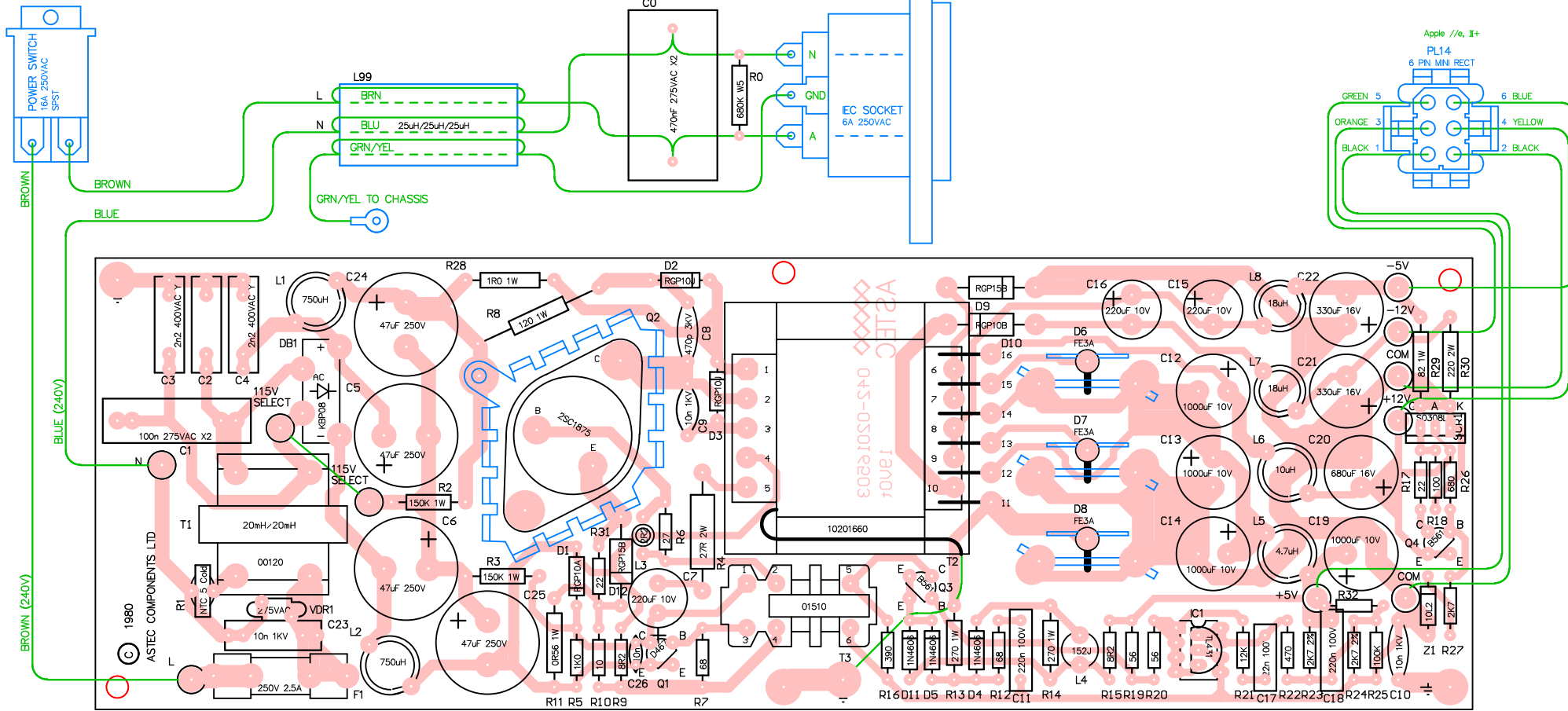
Component Notes:

115V SELECT fitted on 115V version only
 C5, C6, C24, C25 47uF 250V (ESR < 2.0 Ohms)
 C7 220uF 16V (ESR < 0.4 Ohms)
 C15, C16 220uF 10V (ESR < 0.3 Ohms)
 C12, C13, C14, C19 1000uF 10V (ESR < 0.1 Ohms)
 * C13//C14 (parallel ESR < 0.005 Ohms)
 C20 680uF 16V (ESR < 0.15 Ohms)
 C21, C22 330uF 16V (ESR < 0.3 Ohms)
 C0, R0 may not be fitted on early model
 L3 2R2 = 2.2uH
 L4 152J = 1.5mH
 R1 NTC Thermistor 4-5 Ohms @25C

Acceptable ESR reading

Component Variants

C0	0.47uF 275VAC X2	not fitted
C2		not fitted
F1	2.5A 250V	2.75A 125V
IC1	precision voltage reference	TL431
Q1	2SD467	2SD592
Q3, Q4	2SB561	2SB621
R0	680K 0.5W	not fitted
R25		100K
R32		150K
SCR1	S0308L	2N6395
Z1	10L2	A211
		C122A
		9V8



NOTE: Tracks are for reference only.
 Track widths are not-to-scale.
 Pads are not-to-scale.
 Component placement is +/- 50mil

Report errors to: apple.iiegs@gmail.com

Title Apple //e, II+ ASTEC Power Supply		
Size A4	Number MODEL NO: AA 11040C MODEL NO: AA 11040B	Revision 2.0
Date: 09 Apr 2020	Sheet 1 of 1	1
File: ASTEC-IPCB	Drawn By: Mark Cummings	
Protel for Windows v1.1	Checked By:	