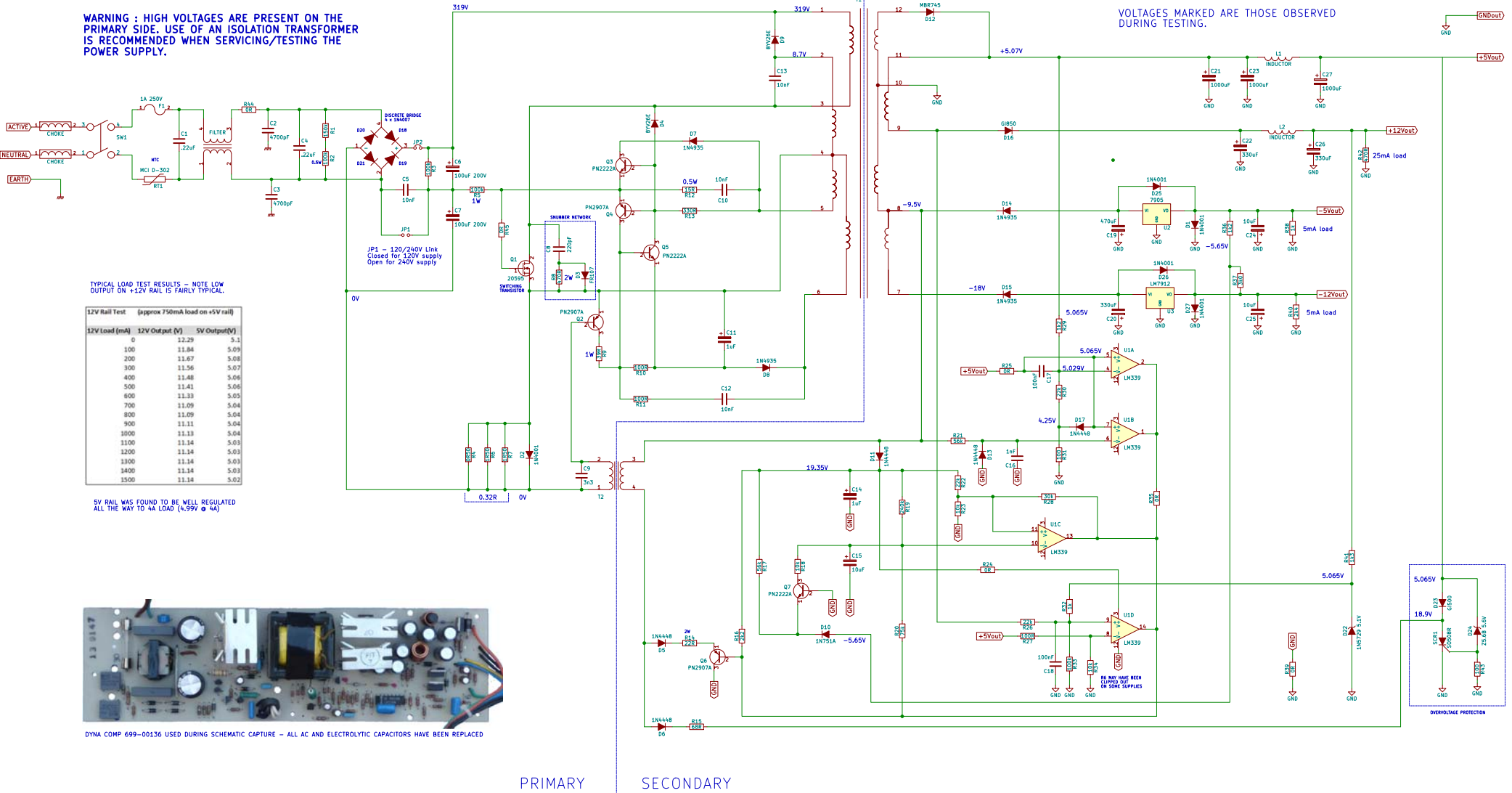


DYNA COMP 699-00136 APPLE //E POWER SUPPLY

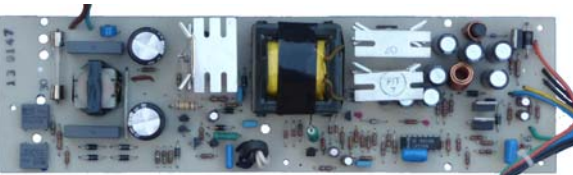
WARNING : HIGH VOLTAGES ARE PRESENT ON THE PRIMARY SIDE. USE OF AN ISOLATION TRANSFORMER IS RECOMMENDED WHEN SERVICING/TESTING THE POWER SUPPLY.



TYPICAL LOAD TEST RESULTS - NOTE LOW OUTPUT ON +12V RAIL IS FAIRLY TYPICAL.

12V Rail Test	(approx 750mA load on +5V rail)
12V Load (mA)	12V Output (V)
0	12.29
100	11.84
200	11.67
300	11.56
400	11.48
500	11.41
600	11.33
700	11.09
800	11.09
900	11.11
1000	11.13
1100	11.14
1200	11.14
1300	11.14
1400	11.14
1500	11.14

5V RAIL WAS FOUND TO BE WELL REGULATED ALL THE WAY TO 4A LOAD (4.99V @ 4A)



DYNA COMP 699-00136 USED DURING SCHEMATIC CAPTURE - ALL AC AND ELECTROLYTIC CAPACITORS HAVE BEEN REPLACED

PRIMARY SECONDARY

OUTPUT RATINGS
 +5V @ 4A
 +12V @ 1A (1.8A PEAK)
 -5V @ 0.25A
 -12V @ 0.25A

